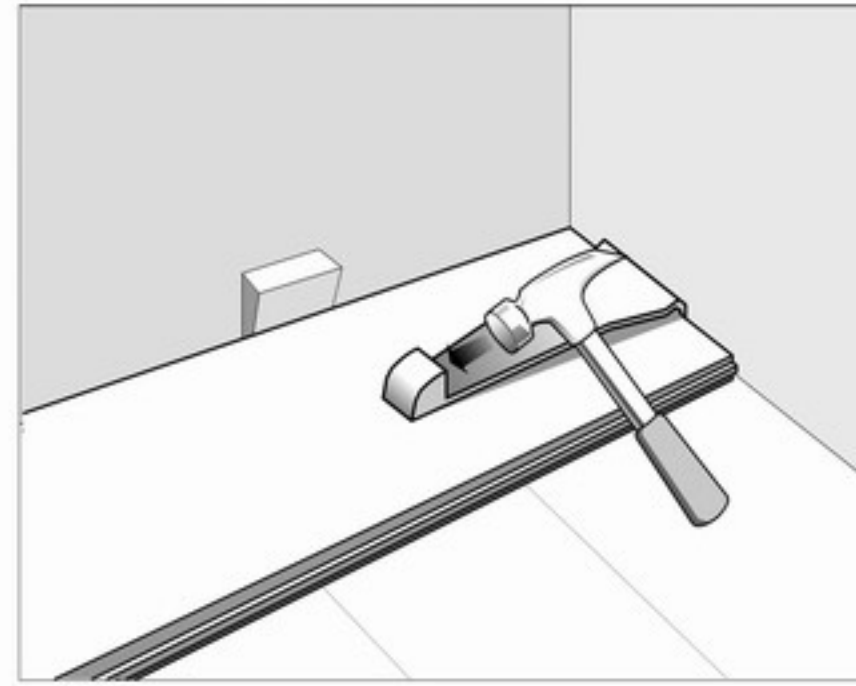
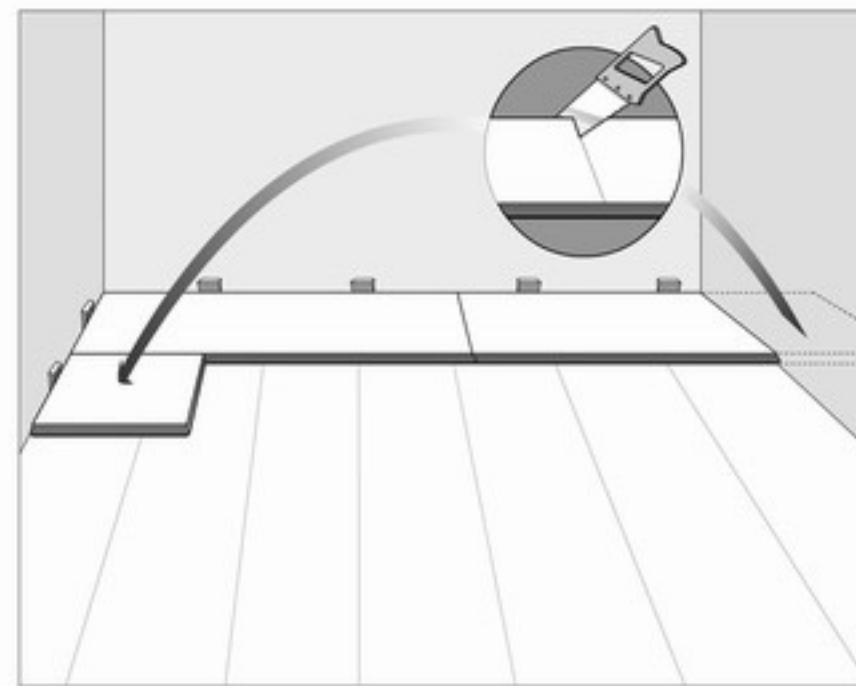


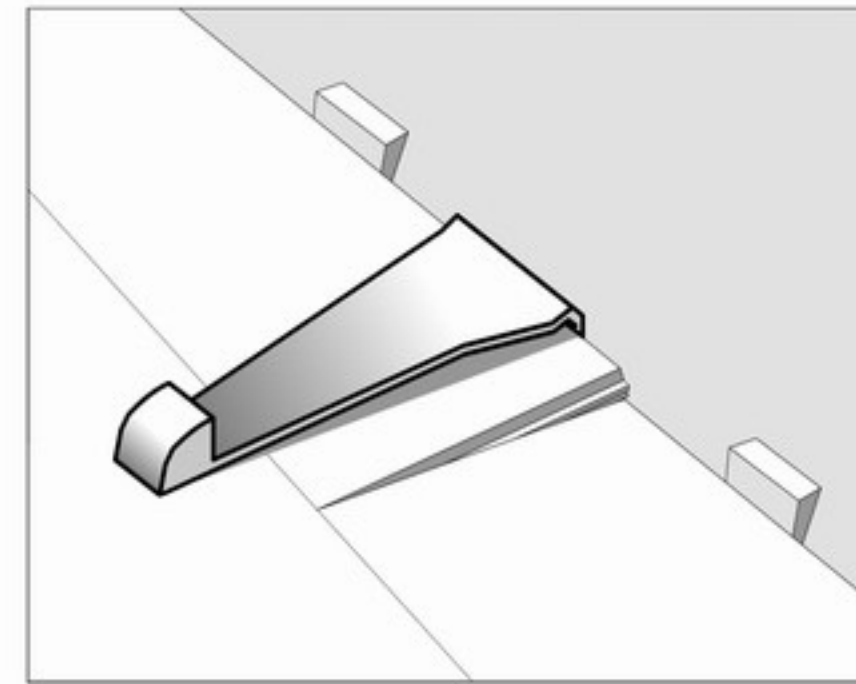
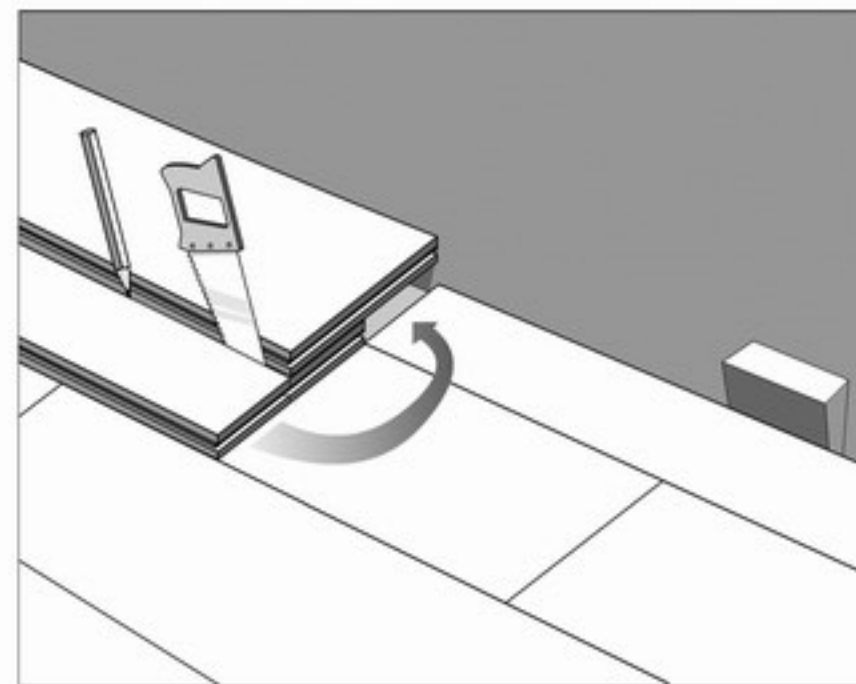
- When installing the last plank in a row, turn the plank 180° and place it over the next-to-the-last plank (tongue facing tongue); mark the last plank with a square and saw it; install the last piece with the help of a fitting bar; adjust a wedge between the last plank and the adjacent wall.



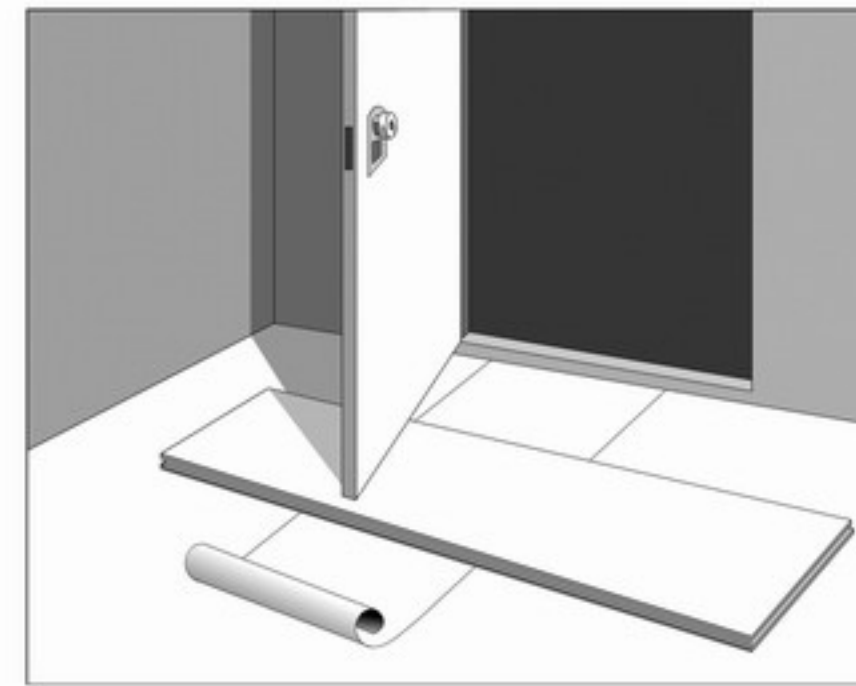
- Start the next row with the piece of plank remaining from the previous row, as long as it is long enough.



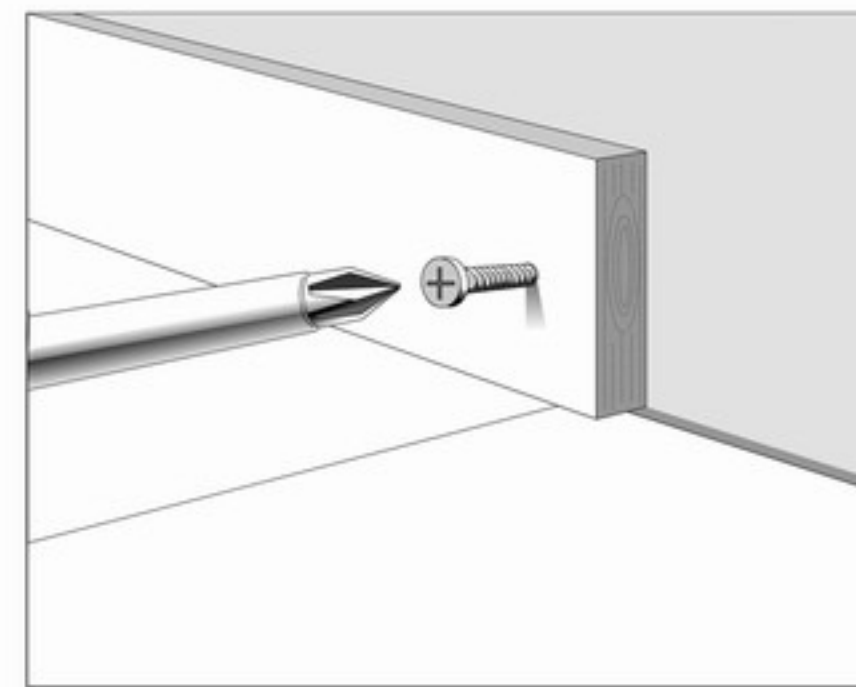
- Stagger the heads of adjacent planks in order to produce a pleasant visual effect.
- You may need to cut the last row of planks length-wise as it may not fit exactly against the wall.



- Make sure that there is enough space above the installed Engineered Wood Flooring for the door to swing.



- Leave the wedges in place overnight and then take them out and cover spaces as appropriate.
- Screw the skirting onto the adjacent wall.



- Make sure the room is well ventilated and free from any excess building moisture.

If you decide to glue your Engineered Wood Flooring, please use the services of a professional parquet layer.

[1] PE sheets should overlap (about 20 cm) or be tightly jointed to avoid vapour leakages. PE sheets should be laid upward on the walls so that any rising residual moisture from the sub-floor can escape along the sides.

MAINTENANCE INSTRUCTIONS FOR ENGINEERED WOOD FLOORING

1. Lacquered Engineered Wood Flooring

1. You may wish to use a protective treatment just before starting using your Engineered Wood Flooring.
2. Make sure your room temperature is about 18 degrees Celcius and relative humidity between 45-60%.
3. Place felt or alike under furniture legs.
4. Place a floor mat at every entrance.
5. Use dry cleaning methods such as wiping, dry mopping or vacuuming. Avoid water.
6. Remove sand or dirt immediately as it may scratch your Engineered Wood Flooring.
7. Remove dirt and stains with a gentle detergent and a damp (NOT wet) sponge, mop or cloth.
8. Never use aggressive detergents or products containing ammonia or silicones. Consult your local flooring shop for specialised maintenance products.

2. Oiled Engineered Wood Flooring

Please purchase specialized quality soap and quality maintenance oil at your local flooring shop.

Please follow the manufacturer's advice. Among others:

1. The floor should be free from dirt or residue before cleaning.
2. Dissolve soap into a warm (not hot) water solution 1/40 or as recommended by the soap manufacturer.
3. Always work with 2 buckets. One with soap water and the other with clean water to rinse the mop.
4. Wash the floor lengthways, using a damp (not wet) floor mop.

INSTALLATION INSTRUCTIONS FOR ENGINEERED WOOD FLOORING

